

# SPECIFICATIONS AND INSTALLATION INSTRUCTIONS



## FENICE<sup>®</sup> LIFTING COLUMN

A range of automated mounting solutions and accessories

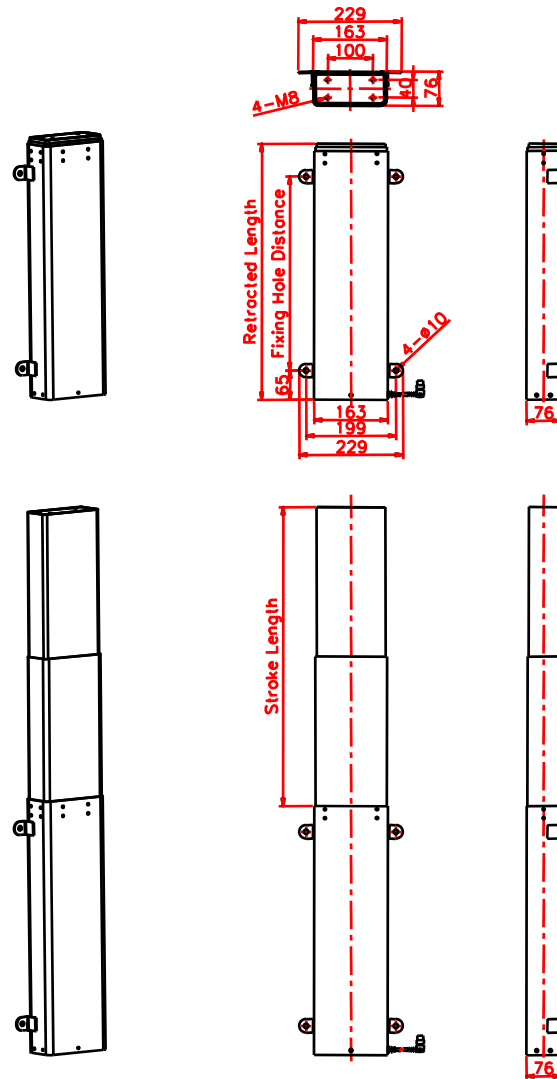


## Introduction :

- The Fenice FE2 Lifting Column is designed for use in AV, IT, Home Automation and other applications where an automatic lifting function is required.
- The Fenice FE2 is a patented telescopic Lifting Column made up of three steel tubes with a 24VDC motor-gear box assembly fitted inside. This design safely achieves a very low noise operation, a basic requirement for most applications.
- There are three different size columns designed to match most LCD & Plasma TVs. All three columns have the same maximum load capacity of 80kg / 175lb and are capable of lifting most existing LCD & Plasma TVs, sized from 20 to 65 inches.
- Installation and connection of the system is extremely easy. Just four screws are required to fix the lifting column into a cabinet or wall panel. The connections between all the main parts, such as the lifting column, control box, switch box and IR receiver are unique plug types. This design allows simple installation, maintenance and repair or replace of each component.
- Each column is equipped with an IR remote control and a wired Switch Box. This secondary device allows the end user to utilise the column even if the remote control is lost or misplaced.
- A unique control box featuring a "SMART" micro-processor allows for basic operating functions; Up/Down/Store/Recall etc. whilst also providing a self-protection feature. This feature monitors the current voltage consumption, immediately shutting down the column if an abnormal rise of current is detected.
- The control box is CE and UL approved. This guarantees it complies with the necessary safety requirements.
- Optional mounting brackets and interfaces allow maximum flexibility, enabling most LCD & Plasma TVs to be simply fitted onto the lifting columns.

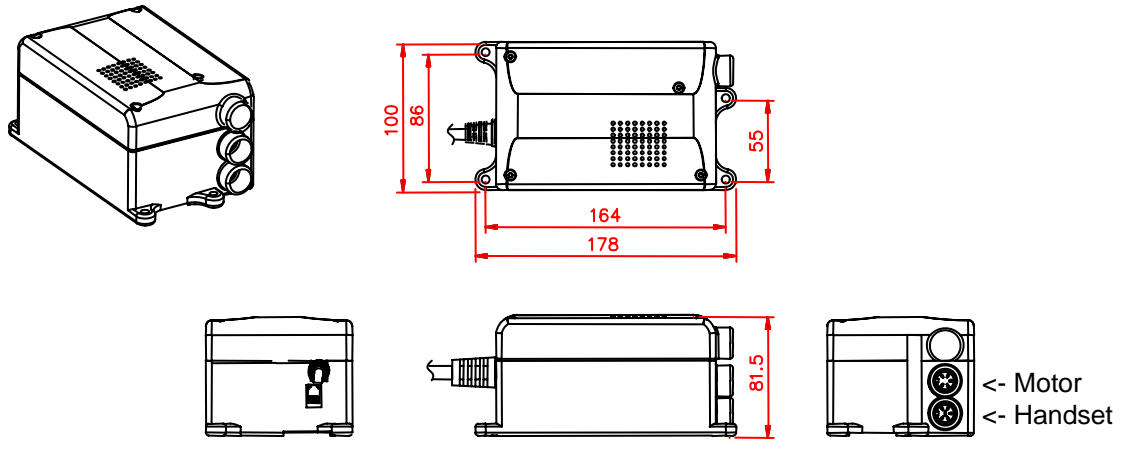
# Contents :

## 1. FE2 Lifting Column

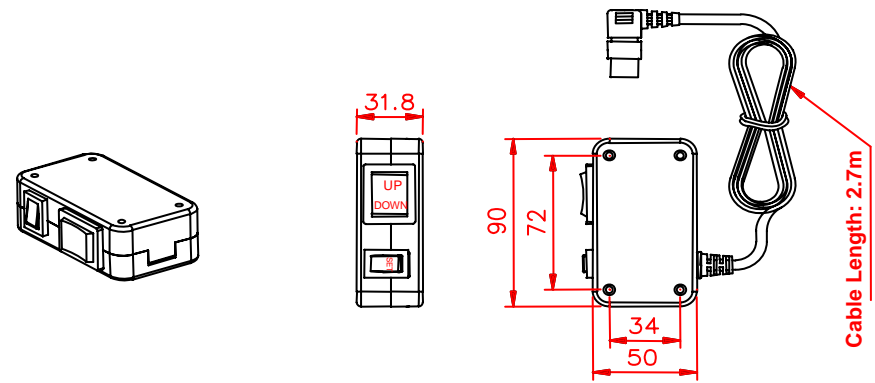


Model No.	Description	Retrauded Length	Stroke length	Fixing Hole Distance	Max. Load	Speed
FE2C	Large size column	795 mm	914 mm	650 mm	800 N	35 mm/sec (w/o load) 20 mm/sec (full load)
FE2B	Medium size column	685 mm	780 mm	545 mm		
FE2A	Small size column	570 mm	650 mm	430 mm		

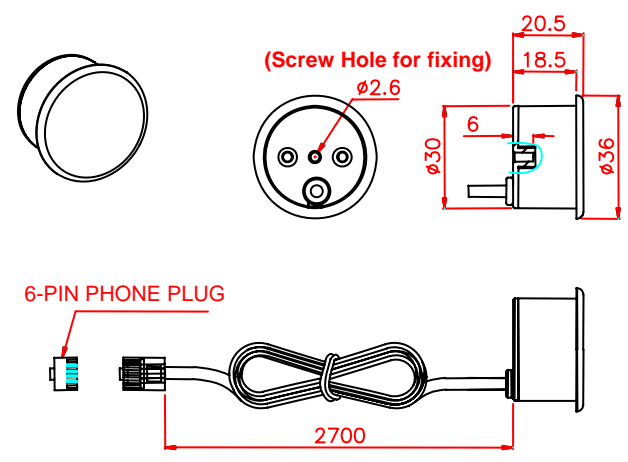
## 2. FE2 Control Box



## 3. Switch Box

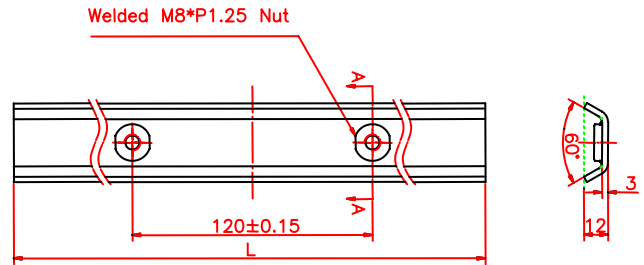
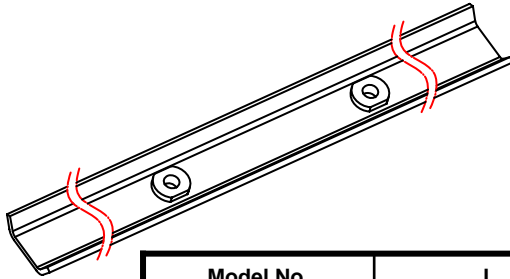


## 4. IR Receiver



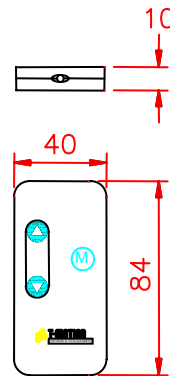


## 6. Mounting Bar



Model No.	L
FE2W3	760 mm
FE2W2	660 mm
FE2W1	550 mm

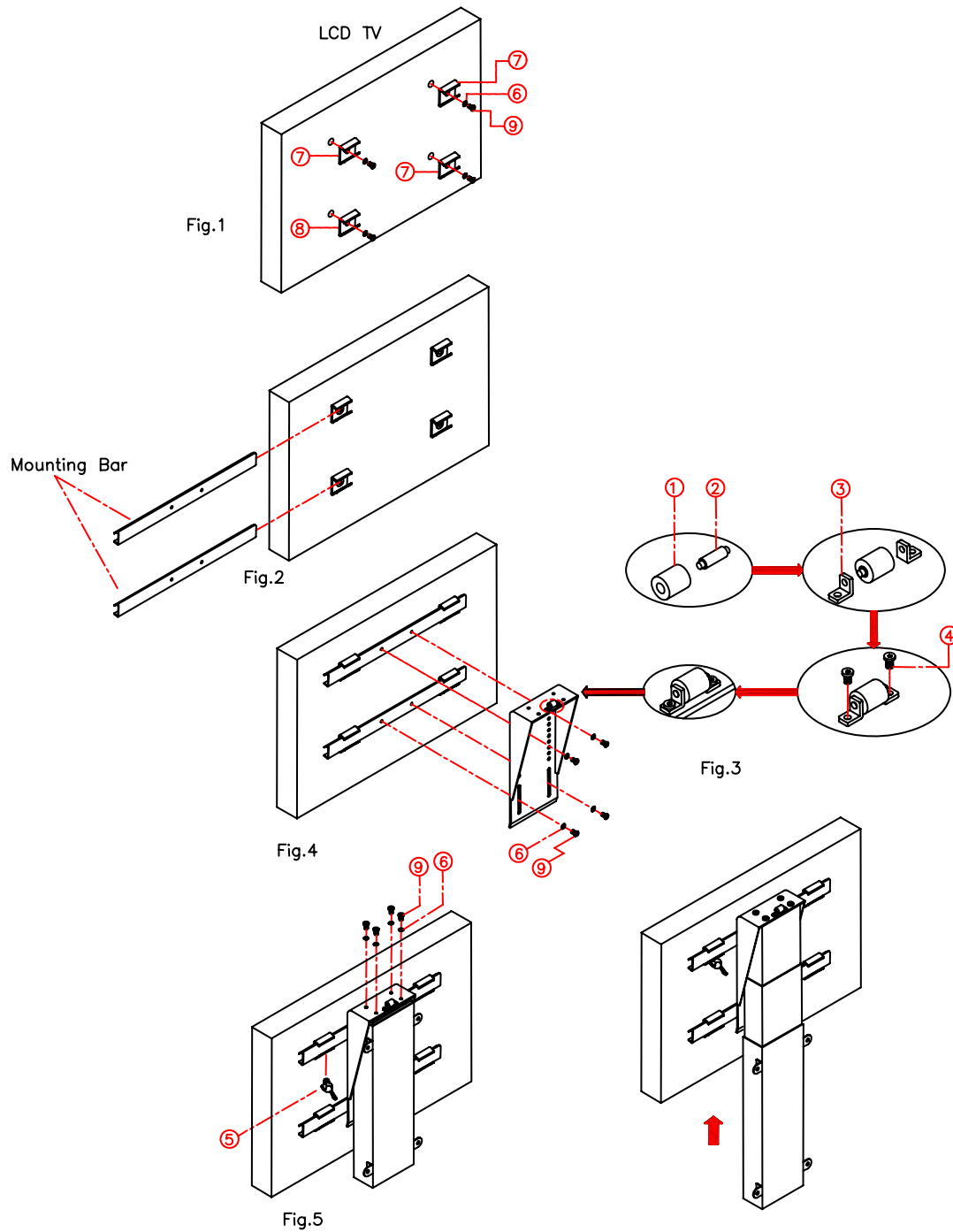
## 7. IR Remote Control



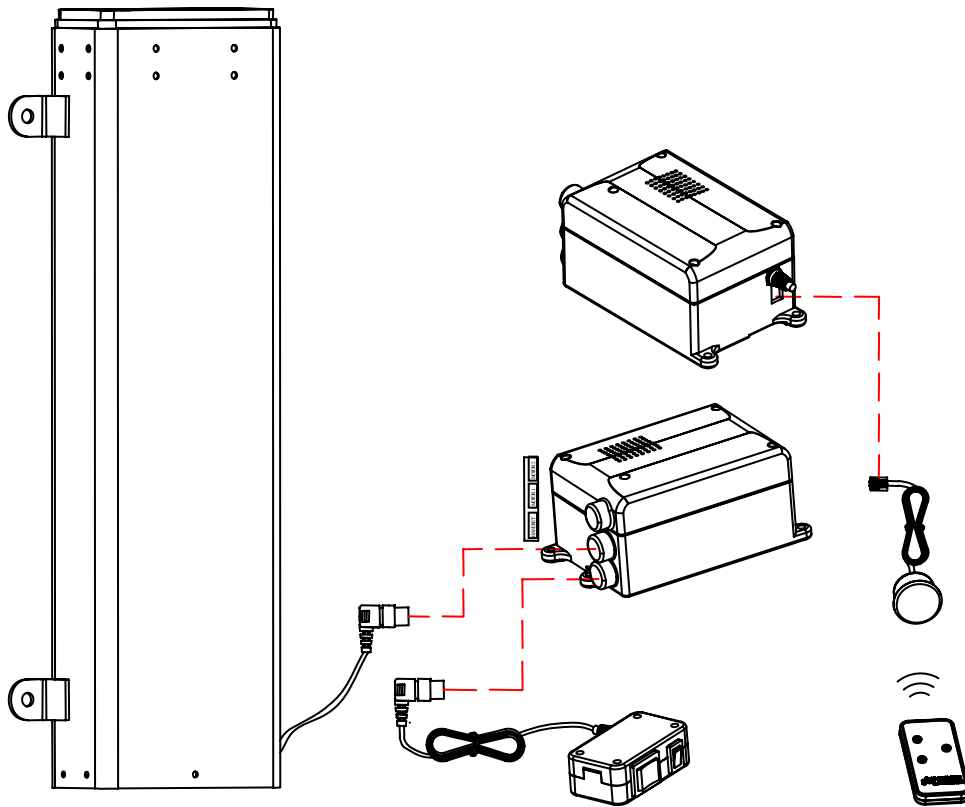
## 8. Parts List

No.	Drawing	Description	Q'ty
1		Wheel ( $\phi 18 * \phi 8 * 20L$ )	1
2		Shaft ( $\phi 8 * 28L$ )	1
3		Shaft Holder (15*15*10)	2
4		Screw (M5*7L)	2
5		Manual Screw (M5*10L)	1
6		Washer (M8)	12
7		Slider	3
8		Slider (with fixing hole)	1
9		Screw (M8*15L)	12
10		Handle	1

# Installation of optional mounting bracket :



## Connections :

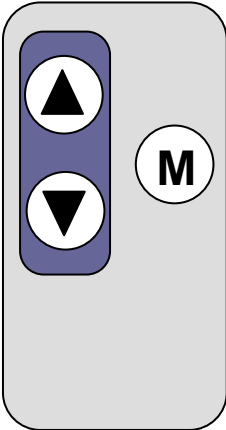


## Cautions :

1. Please check the AC voltage rating before plugging into the mains. Note: Wrong AC voltage may damage the controller.
2. Do not plug into the AC mains power supply before all the parts connected.
3. The control box contains no user serviceable parts. Note: An electrical hazard may occur if the unit is tampered with.
4. If two or more systems are installed in close proximity, allow for possible the interference from other IR remote controls.
5. As a safety precaution before operating the column, ensure there are no pets, children or other obstructions which may be hurt or damaged if found blocking the travel of the lifting column.

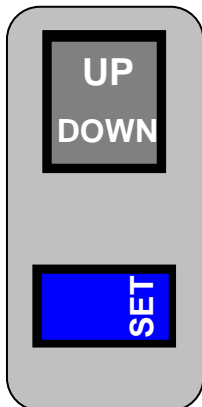
## Operation :

### Operation by IR Remote Control



1. Ideally the IR remote control should be pointed directly at the IR receiver. The distance between the IR receiver and remote control should be less than five metres.
2. Pressing the “UP” button enables the column to travel upward continuously.
3. Pressing the “DOWN” button enables the column to travel downward continuously.
4. When the column is moving, pressing any button will stop the movement.
5. Keeping the “M” button pressed for 5 seconds, until the LED of the IR Receiver flashes three times, will memorise the upper height of the column.
6. Pressing the “M” button for a second and releasing, will automatically lift the column to the memorised height.

### Operation by Manual Control



1. For normal operation, ensure the blue switch is in the normal position, not the “SET” position.
2. Pressing the “UP” switch enables the column to travel upward continuously.
3. Pressing the “DOWN” switch enables the column to travel downward continuously.
4. When the column is moving, pressing any switch will stop the movement.
5. Selecting “SET” on the blue switch for 5 seconds, until the LED of the IR Receiver flashes three times, then switching it back will memorise the current height of the column.
6. Selecting “SET” on the blue switch for one second then switching back to the normal position will automatically lift the column to the memorised height.