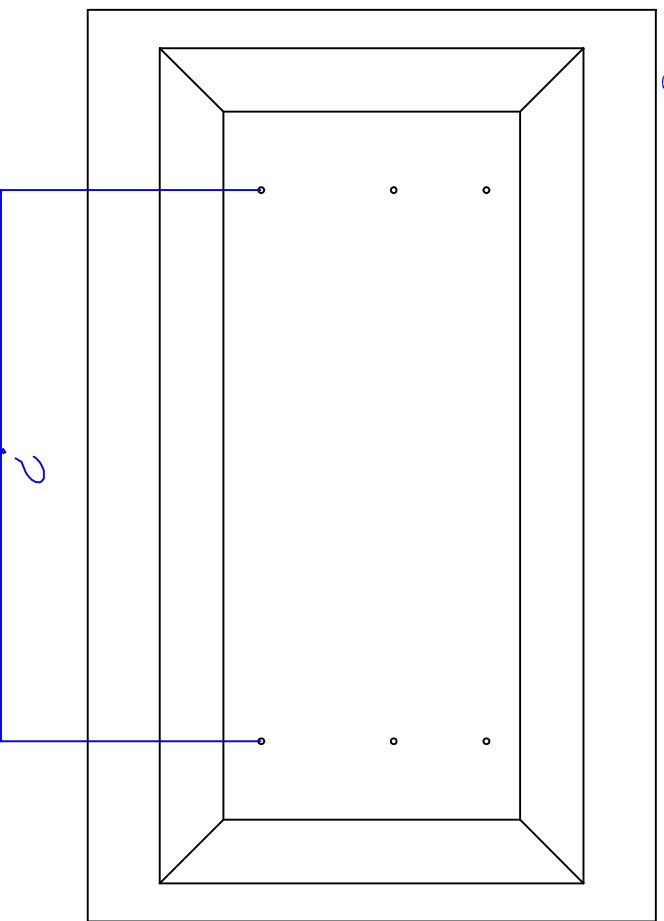


**1.** Measure the distance between the mounting holes on the back of Plasma TV

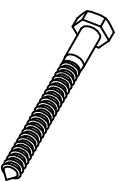


**G.1PC**



C1. Wall Mounting Hardware 8PCS

C2. Wall Mounting Hardware 8PCS



**D.** Plasma TV Mounting Hardware

M4x12 8PCS

M4x16 8PCS

M4x25 8PCS

M5x16 8PCS

M5x25 8PCS

M6x20 6PCS

M6x40 6PCS

M6x55 6PCS

M8x20 6PCS

M8x40 6PCS

M8x55 6PCS

**E.** Washers

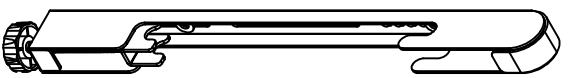
8PCS

6PCS

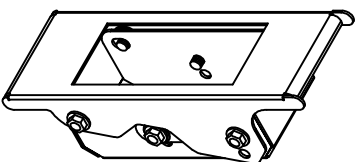
**F.** Spacers

12 PCS

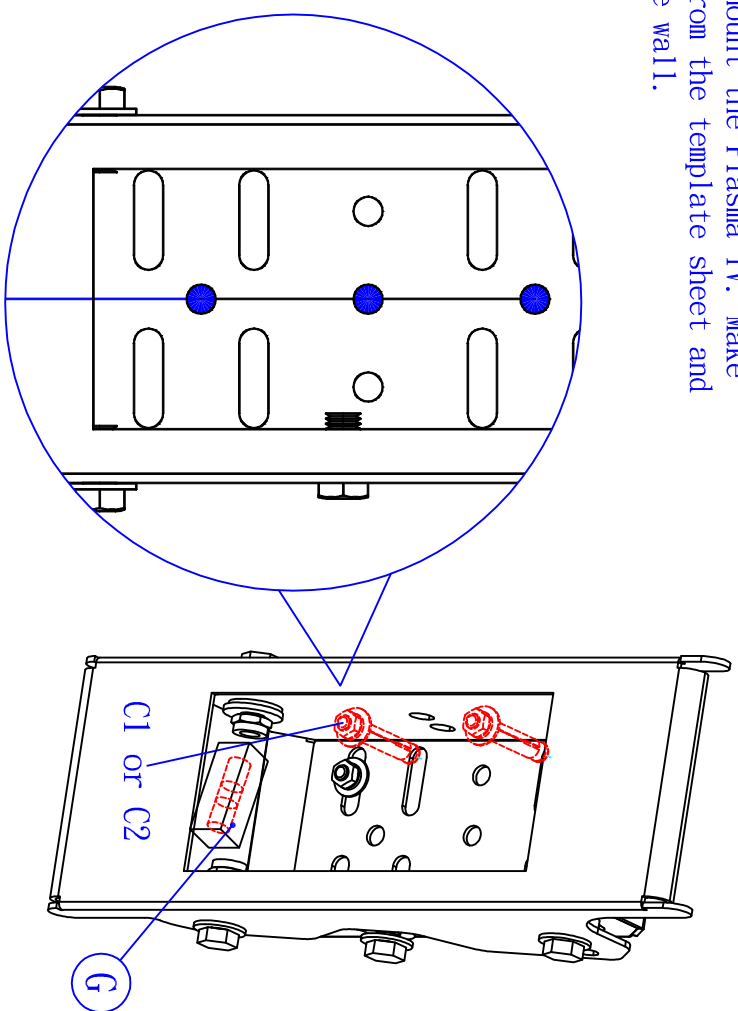
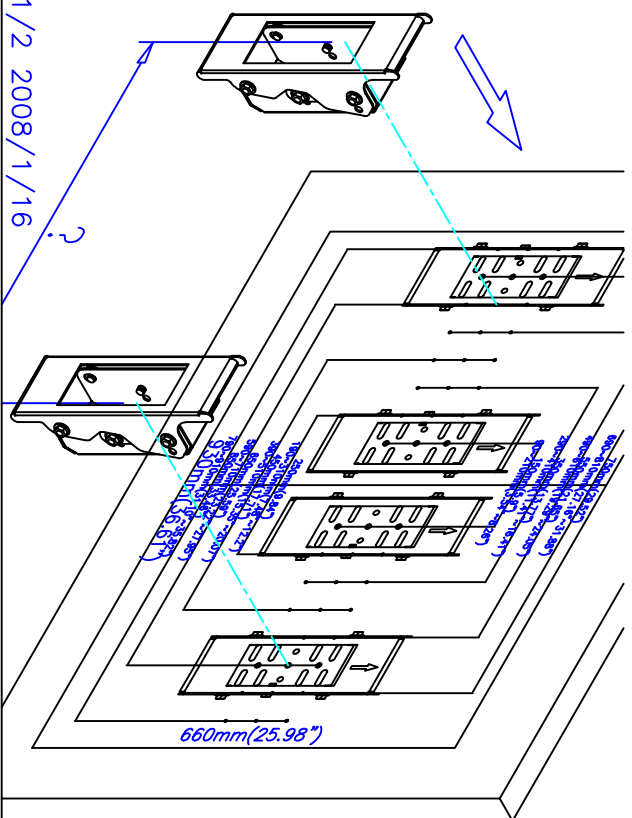
B. Plasma TV Mounting Bracket 2PCS



A. Wall Mounting Bracket 2PCS

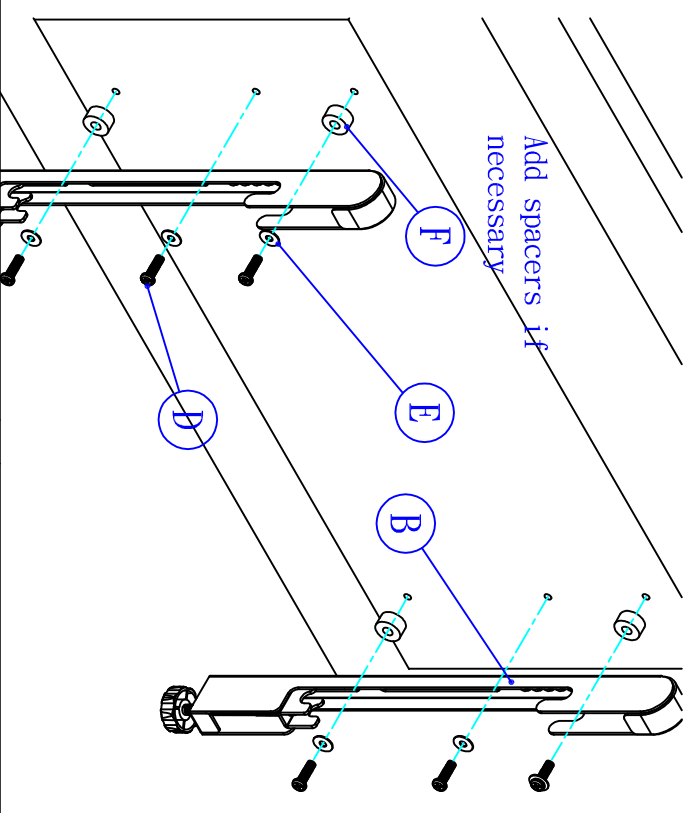
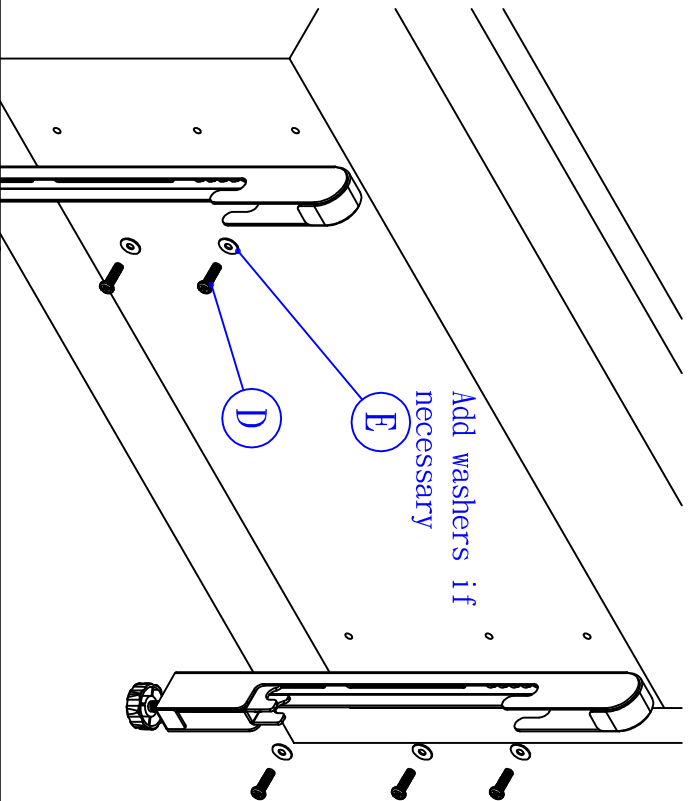


**2.** Attach the template sheet included onto the wall where you want to mount the Plasma TV. Make sure the wall construction is strong enough. Select a proper range from the template sheet and mount 2pcs wall mouning brackets through the selected range onto the wall.



3. Install 2pcs mounting brackets onto the back of Plasma TV

Options:



4. Raise the Plasma TV to hang onto the wall mounting brackets, and secure the hook to bottom of wall mounting brackets.

