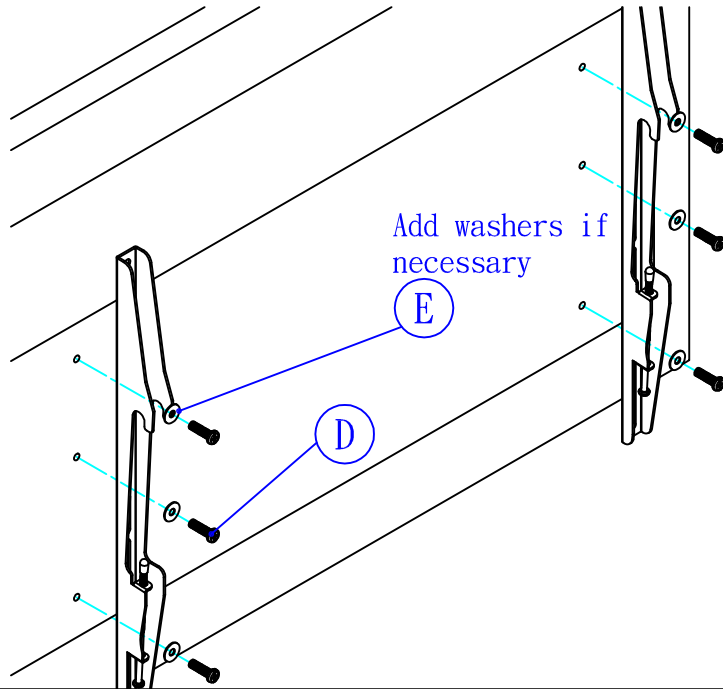
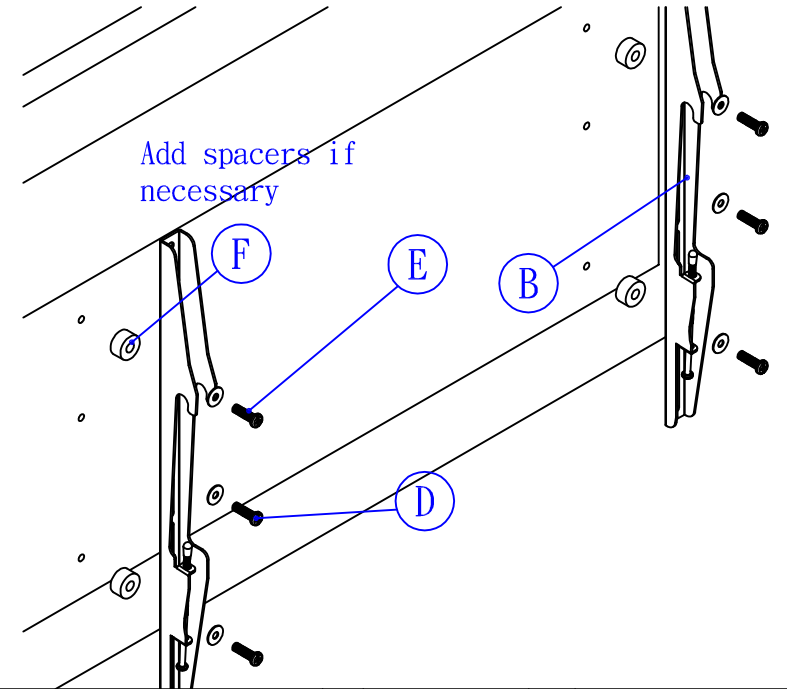


3. Install 2pcs mouning brackets onto the back of Plasms TV



Options:



4. Raise the Plasma TV to hang onto the wall mounting brackets.

