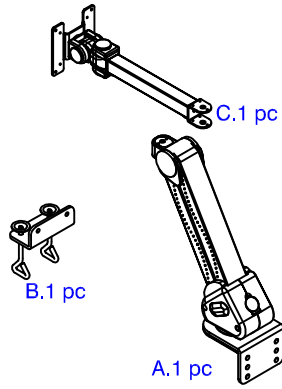


FLAT PANEL DISPLAY ARTICULATED ARM MOUNT

INSTRUCTIONS

Part List: Max Load 10kgs



- D.2 pcs
- E.2 pcs
- F.1 pc
- G.2 pcs
- H.1 pc
- I.1 pc
- J.2 pcs
- K.4 pcs

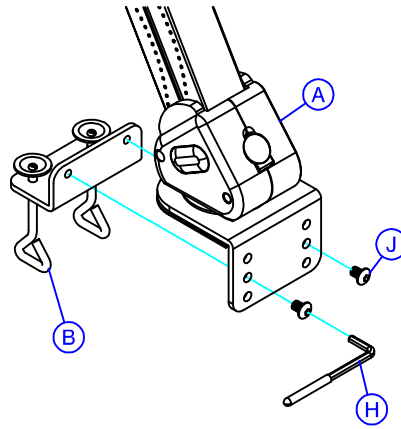
The unit fits VESA compatible Flat Panel Displays and comes with a combination 75/100mm VESA plate.

SAFETY NOTICE. If mounted on a wall, installation must be carried out by a competent Tradesperson using masonry bolts or other reliable fixings to ensure safe installation. Consult your builder or architect if in doubt.

If clamped to desktop follow instructions in 1. desktop fixing.

Not Included are fixings for attaching wall plate to wall as these need to be selected for the building structure type.

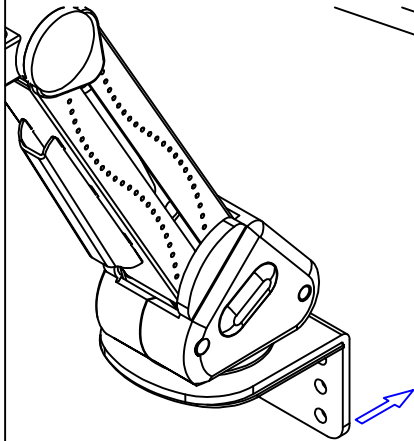
1. DESKTOP FIXING



Locate C Clamp(B) and remove the 2 domed head allen screws(J). Fix the Articulated arm assembly(A) to the C Clamp by refitting the allen screws as shown. (Allen Key Tool supplied)

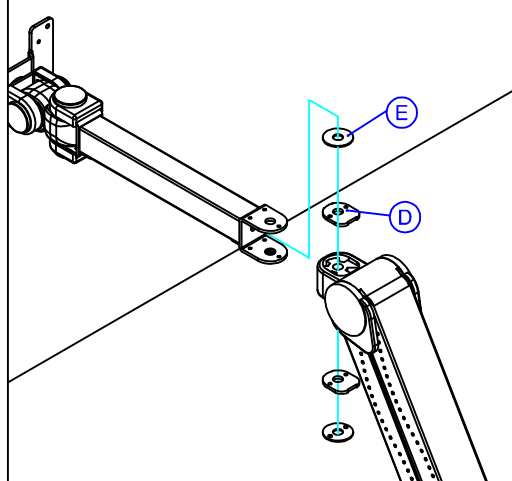
Ensure desktop is at least 30mm thick. Loosen off C Clamp and place onto desktop ensuring that unit locates against the side of the desk. Tighten C Clamp to lock mount to desktop.

2. WALL FIXING

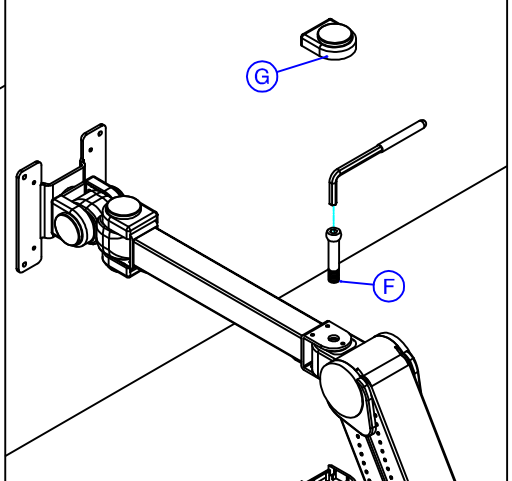


145900-03 1/2 2005/12/30

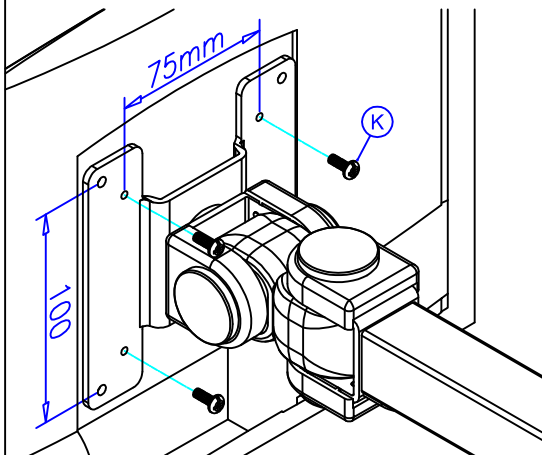
3.



4.

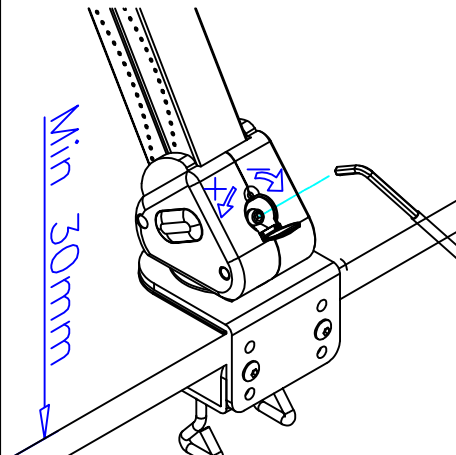


5. ATTACHING THE FLAT PANEL



Attach the flat panel display to the Articulated arm assembly(A) using screws(K).

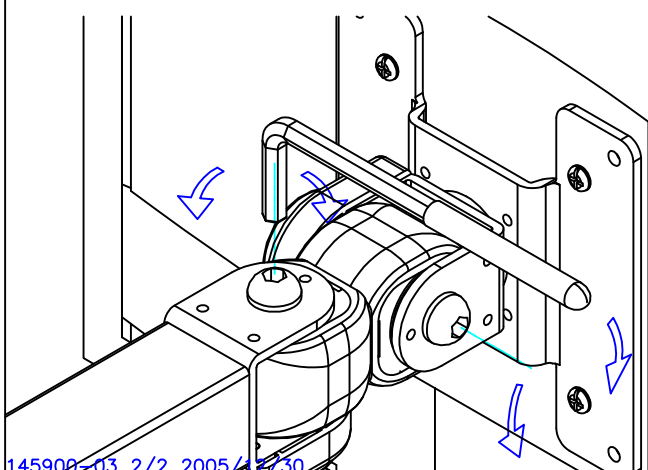
6. ADJUSTING LOAD CAPACITY



Adjust the load capacity by lifting the screw access cover at the base of the arm. The adjusting screw can be seen when the mount arm is put into a vertical position. Use the allen key tool to adjust the screw.

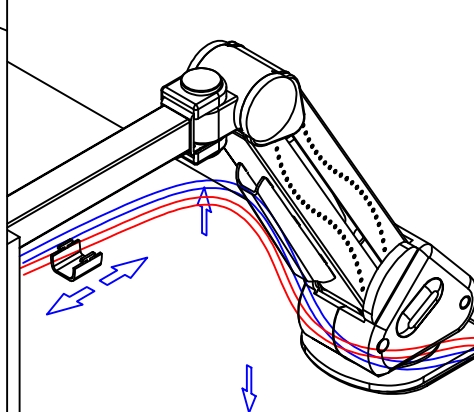
Clockwise to decrease load capacity
Anticlockwise to increase load capacity

7. TORQUE ADJUSTING... <IF NECESSARY>



145900-03 2/2 2005/12/30

8. CABLE MANAGEMENT



Thread cables through base of the arm and connect to the Flat Panel Display. Clip cable cover into position to tidy loose cables as shown.