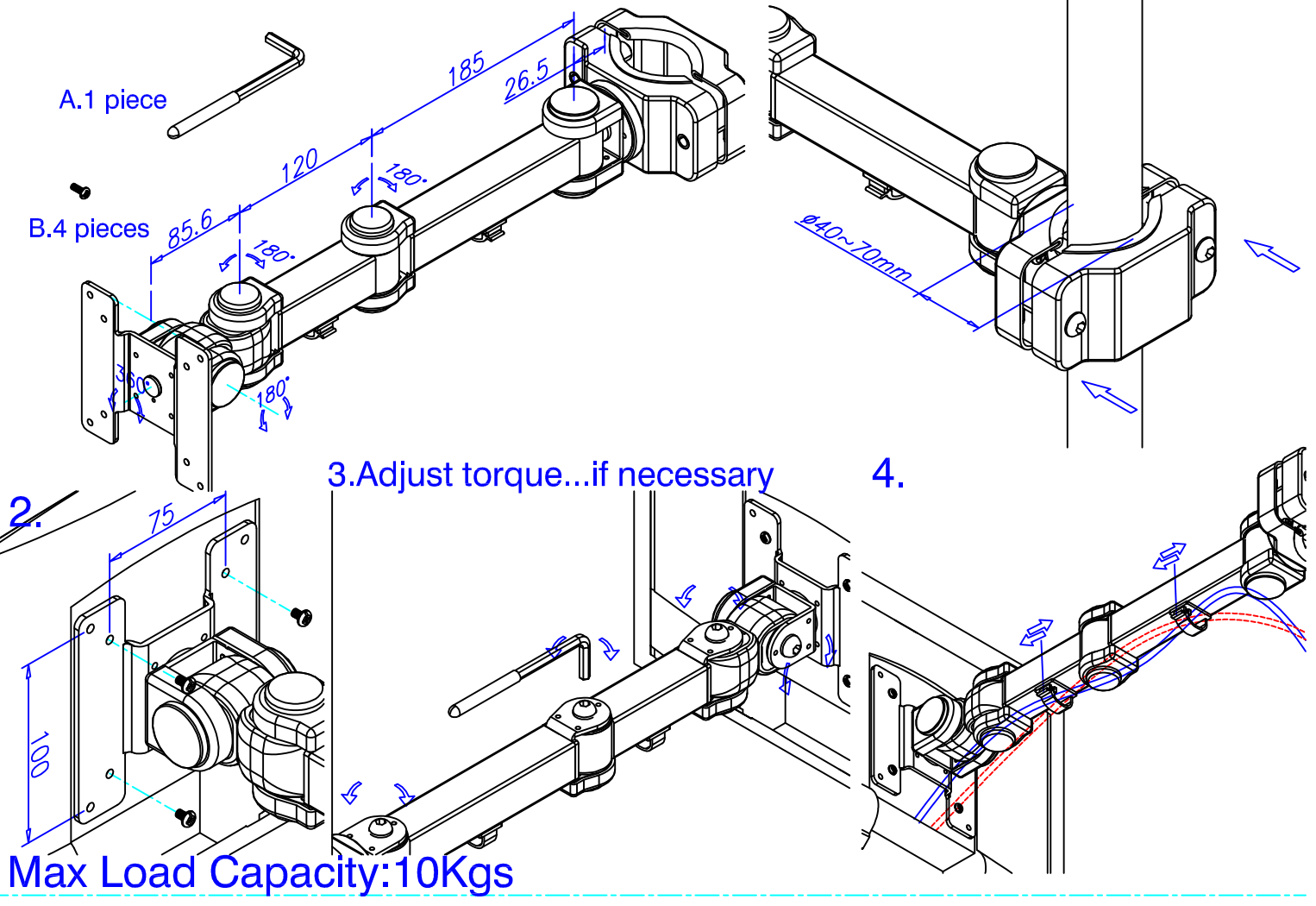


# Instruction:



# Option: 1.

